

ATLEX-S Series



Ultra-compact sized high repetition rate, air cooled excimer lasers for OEM & stand alone applications

Key Features:

- Ultra Compact Size
- High Repetition Rate
- TMC (Total-Metal-Ceramic) Vessel
- Corona Preionization
- Solid State Switch
- Laser Head Volume < 3 l
- Air-Cooled, Thermal Management
- Flushable Optics Holder
- Integrated 4-Valve System for Easy Gas Handling
- RS485, RS232, USB and FOC Interface for System Integration
- Energy Stabilization Mode
- Integrated Vacuum Pump & Halogen Filter
- Meets European CE Standard, RoHS Compliant



Technical Data

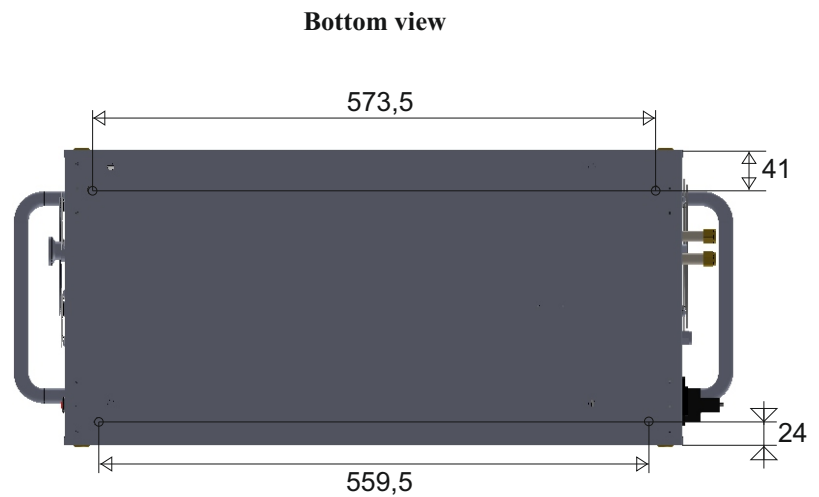
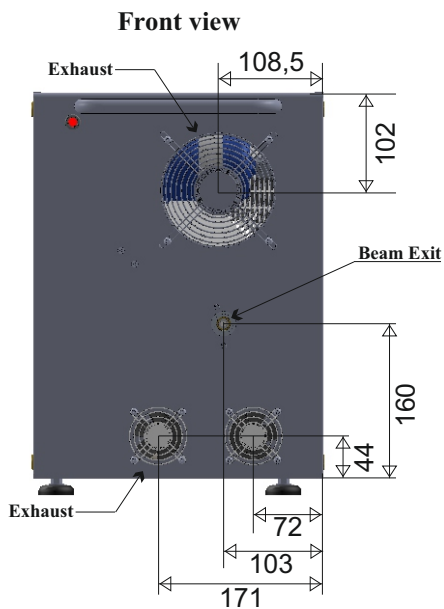
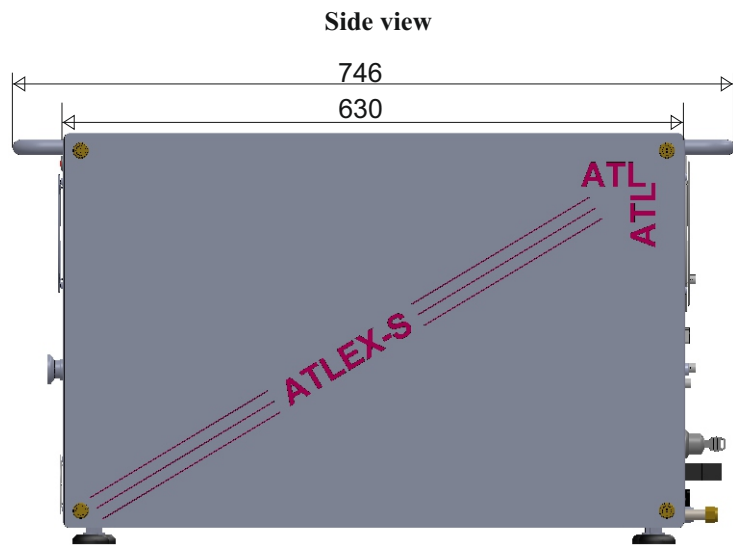
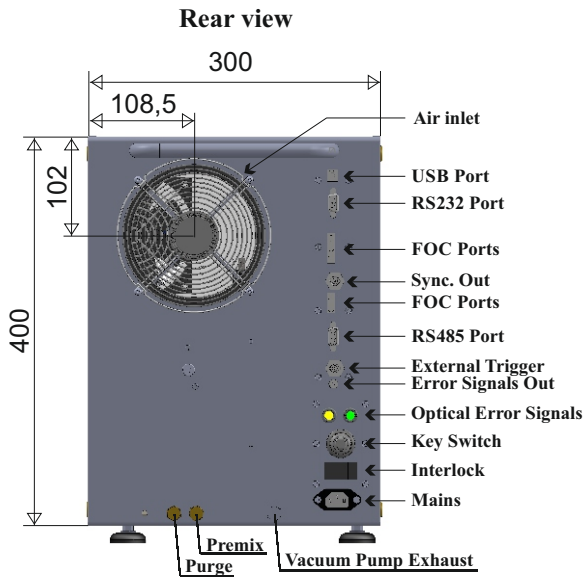
Gas Medium	ArF		KrF		Units
Wavelength	193		248		nm
High Voltage Switching Technique	Solid State Switch		Solid State Switch		
Max. Rep. Rate	300	500	300	500	Hz
Max. Pulse Energy ¹⁾	10	10	15	15	mJ
Max. Average Power	2,4	4	4	6	W
Pulse Duration ²⁾	5 - 8				ns
Beam Dimensions ²⁾ (V x H)	4 x 6				mm
Beam Divergence ²⁾ (V x H)	1 x 2				mrاد
Energy Stability (Stand. Dev.)	< 3				%
Dimensions (L x W x H)	630 x 400 x 300				mm
Weight	65				kg
Cooling	Air				
Power Requirements	230 VAC / 6,3 A / 50-60 Hz / 1 Phase				

All specifications are typical data and subject to change without notice due to product improvements.

¹⁾ measured at low rep. rates; allow 10% reduction of output energy and power for laser equipped with stabilization mode

²⁾ Typical Value, FWHM

ATLEX-S Series Dimensions



All dimensions in mm

ATLEX-S complies with the Federal Regulations (21 CFR Subchapter J) as administered by the Center for Devices and Radiological Health.

ATL Lasertechnik GmbH
 Burger Str. 28
 D-42929 Wermelskirchen
 Tel.: +49 (2196) 88 79 893
 Fax: +49 (2196) 88 79 895
 Internet: www.atl-laser.de



Visible and invisible Laser Radiation. Avoid eye or skin exposure to direct or scattered Radiation. CLASS IV Laser radiation product per EN60825-1 (1994).